



# Modular Cooking Range Line 900XP 6 Drawer Refrigerated Base

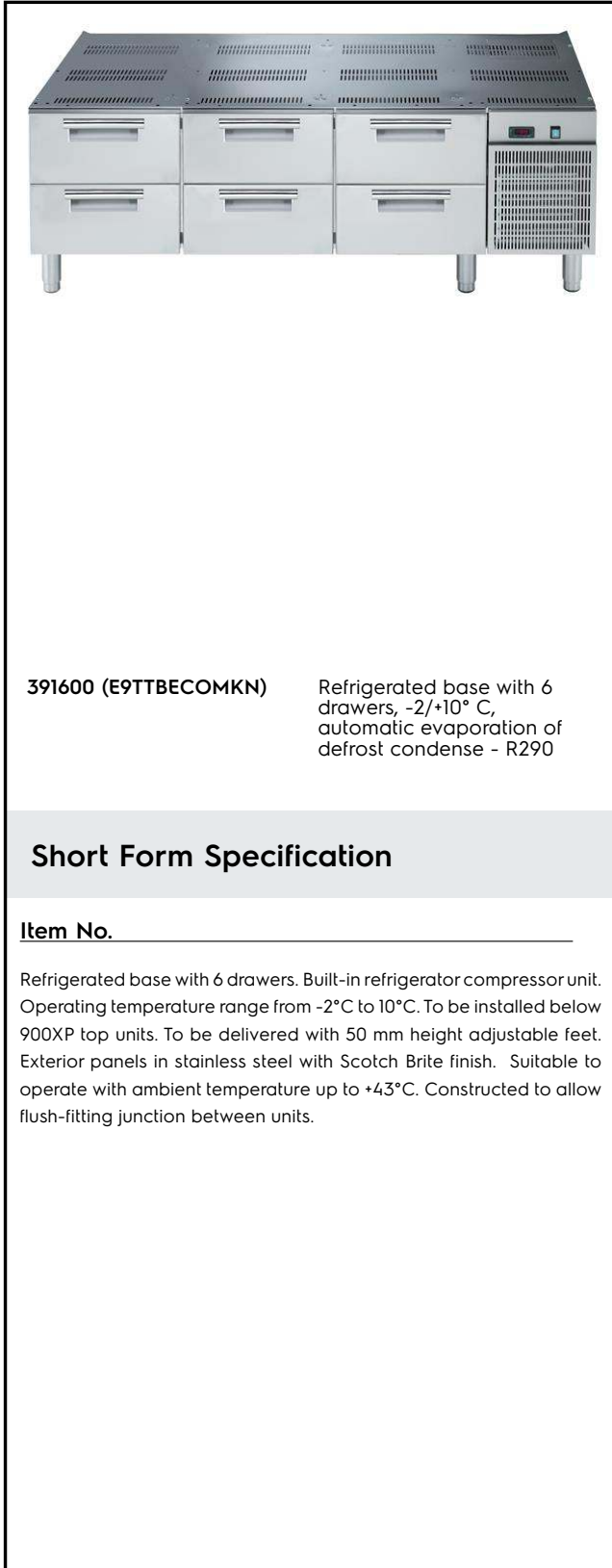
ITEM # \_\_\_\_\_

MODEL # \_\_\_\_\_

NAME # \_\_\_\_\_

SIS # \_\_\_\_\_

AIA # \_\_\_\_\_



**391600 (E9TTBECOMKN)** Refrigerated base with 6 drawers, -2/+10° C, automatic evaporation of defrost condense - R290

## Short Form Specification

**Item No.** \_\_\_\_\_

Refrigerated base with 6 drawers. Built-in refrigerator compressor unit. Operating temperature range from -2°C to 10°C. To be installed below 900XP top units. To be delivered with 50 mm height adjustable feet. Exterior panels in stainless steel with Scotch Brite finish. Suitable to operate with ambient temperature up to +43°C. Constructed to allow flush-fitting junction between units.

## Main Features

- Adjustable temperature range from -2 °C to +10 °C to suit meat, fish and dairy storage requirements.
- Forced air circulation for rapid cooling and an even temperature distribution.
- Right angled side edges eliminate gaps and possible dirt traps between units.
- Unit can be easily installed below other 900 line top models.
- Defrosting and automatic evaporation of condense drain: the condense is automatically evaporated thanks to the electric resistance in the condense drain container.
- GN compliant.
- Designed for modular installation into the cooking block.

## Construction

- Exterior panels in Stainless steel with Scotch Brite finish to meet the highest hygiene standards.
- Built-in compressor to suit operating conditions.
- Access to all components from the front.
- Unit delivered with 150 mm height adjustable feet in Stainless steel. Feet can be extended up to 250 mm.

## Sustainability



- CFC and HCFC free (highly ecological refrigerant type: R290).

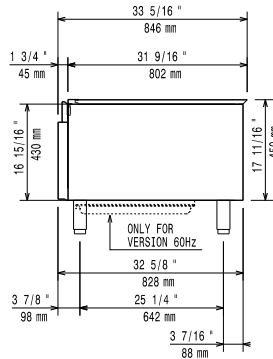
## Optional Accessories

- Flanged feet kit PNC 206136
- Frontal kicking strip for concrete installation, 1600mm PNC 206152
- Frontal kicking strip, 1600mm (not for refr-freezer base) PNC 206179
- Kit 3 base support for wheels PNC 206430
- Kit 6 wheels - 3 swivelling with brake PNC 206432

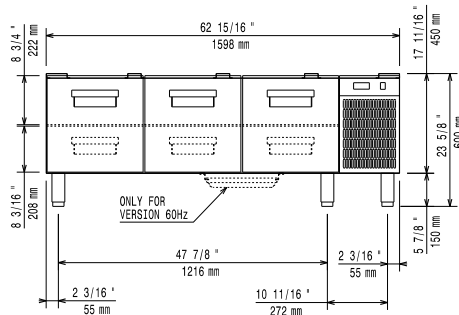
APPROVAL: \_\_\_\_\_



Front

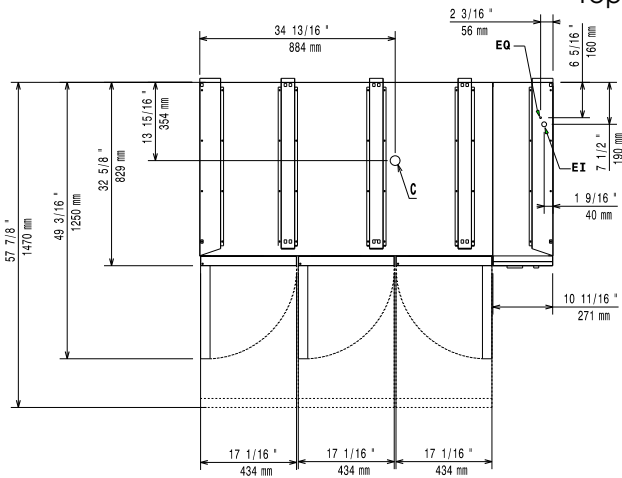


Side



EI = Electrical inlet (power)

Top



## Electric

### Supply voltage:

391600 (E9TTBECOMKN) 220-230 V/1N ph/50 Hz

### Electrical power max.:

0.44 kW

### Total Watts:

0.44 kW

## Key Information:

### Gross capacity:

240 lt

### External dimensions, Width:

1600 mm

### External dimensions, Depth:

830 mm

### External dimensions, Height:

600 mm

### Net weight:

143 kg

### Shipping weight:

167 kg

### Shipping height:

840 mm

### Shipping width:

1040 mm

### Shipping depth:

1700 mm

### Shipping volume:

 1.49 m<sup>3</sup>

## Sustainability

### Refrigerant type:

R290

### Refrigerant weight:

85 g